

Service Box **SS85**

SS85 floor box consists of stainless steel mounting lid and galvanized steel base, with 2 compartments, for finish floor height 85 mm (SS85).



The systems

Sockets: 4 sockets for 4 plugs or data/voice jack

overall dimension: 252 mm X 220 mm

Height:

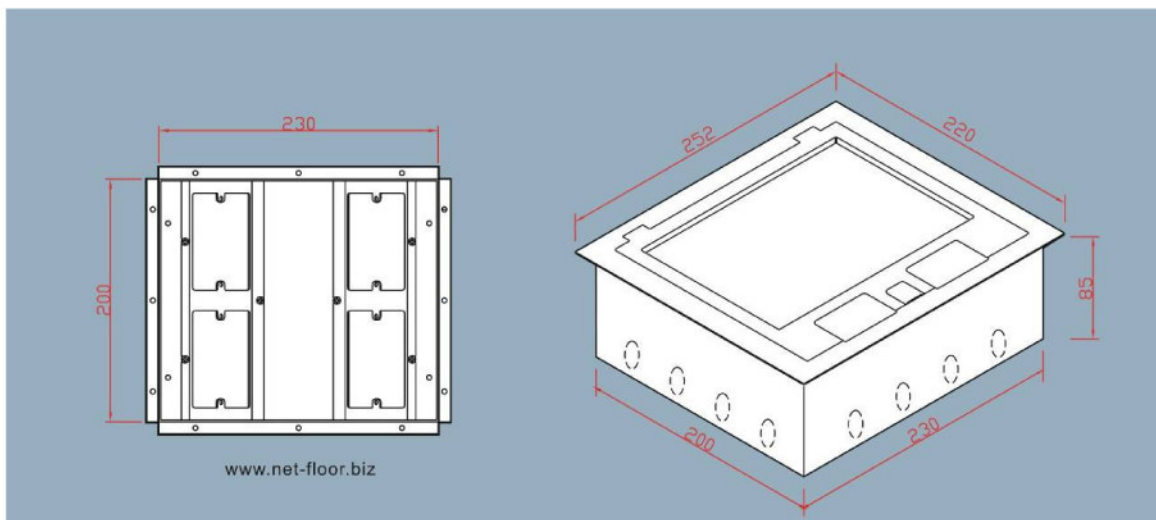
SS85: 85 mm (access floor minimum finish height)

Mounting lid: stainless steel tray, middle with recess 6.5 mm for topping by carpet tile.

Box base: size 230 mm X 200 mm

Box base and compartments for sockets and data jack: made of galvanized steel by powder coating.

SS85 dimensions details



** access panel cut out: 232 mm X 202 mm

** carpe tile cut size for topping floor box: 186 mm X 129 mm

